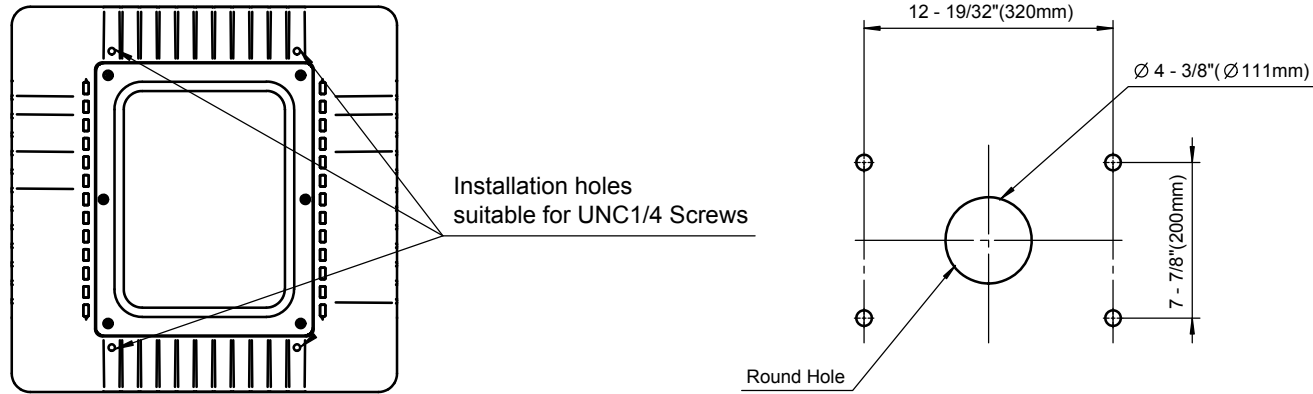
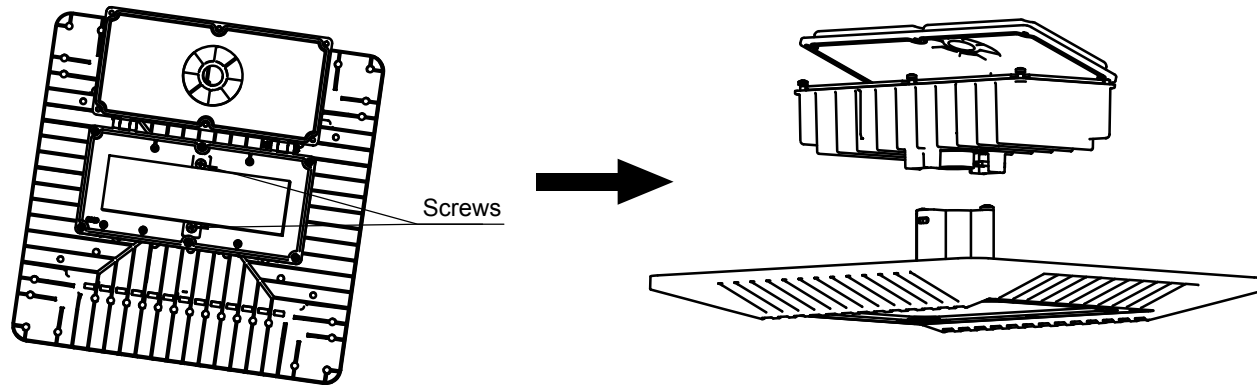


Ceiling Option for round hole

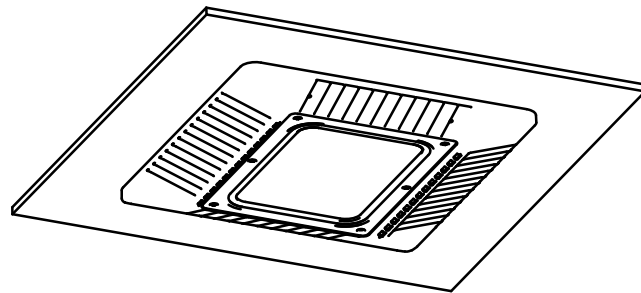


Ref#: 11210-21020

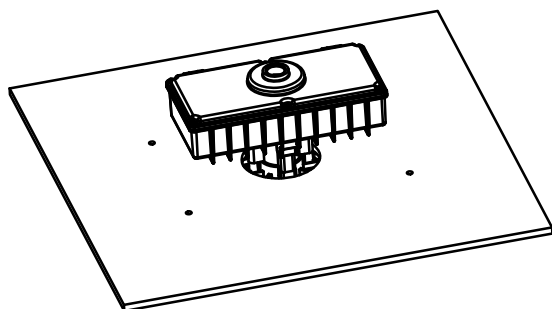
1. Opening the driver box, take off the two screws for separating the driver box and main body



2. Attach the main body to the hole.



3. Attach the driver box in the back side, tighten the screws, connect the wires and screw 3/4 NPS waterproof joint tightly (Attention to ensure the water pillow not fall off). Tighten the driver box.



SUITABLE FOR MODEL



IMAGE MAY VARY FROM ACTUAL PRODUCT

SAFETY INSTRUCTION



READ CAREFULLY BEFORE INSTALLING FIXTURE. PLEASE KEEP THIS MANUAL FOR FUTURE USE.
 Fixtures must be wired in accordance with the National Electrical Code and all applicable local codes. Proper grounding is required for safety.
THIS PRODUCT MUST BE INSTALLED IN ACCORDANCE WITH THE APPLICATION CODE BY A PERSON FAMILIAR WITH THE CONSTRUCTION AND OPERATION OF THE PRODUCT AND THE HAZARDS INVOLVED. MAKE CERTAIN POWER IS OFF BEFORE INSTALLING OR MAINTAINING FIXTURE. CHECK THAT VOLTAGE IS COMPATIBLE WITH FIXTURE DRIVER. USE APPROVED CONNECTORS FOR ALL ELECTRICAL CONNECTIONS.

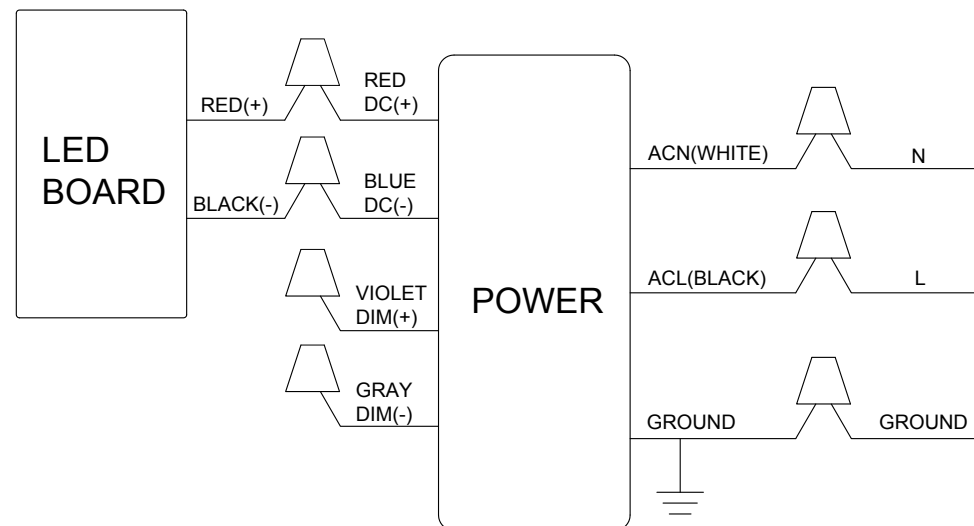
Maintenance Caution



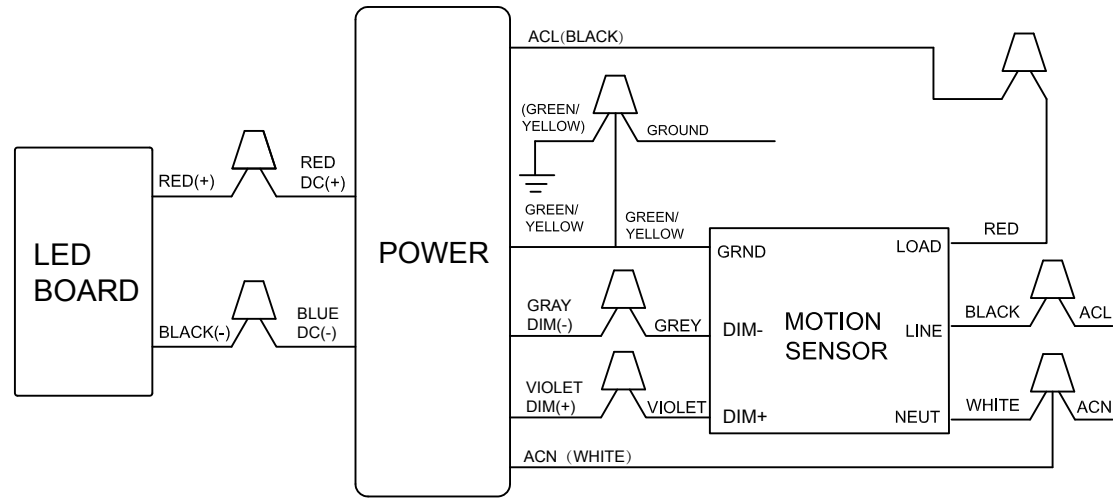
1. Review the wire connection before beginning, and make sure fixture is grounded properly.
2. For lighting controls, follow control instructions carefully.
3. Turn power off and wait for fixture to cool before performing maintenance.
4. Maintenance must be done by professionals.

WIRE CONNECTION

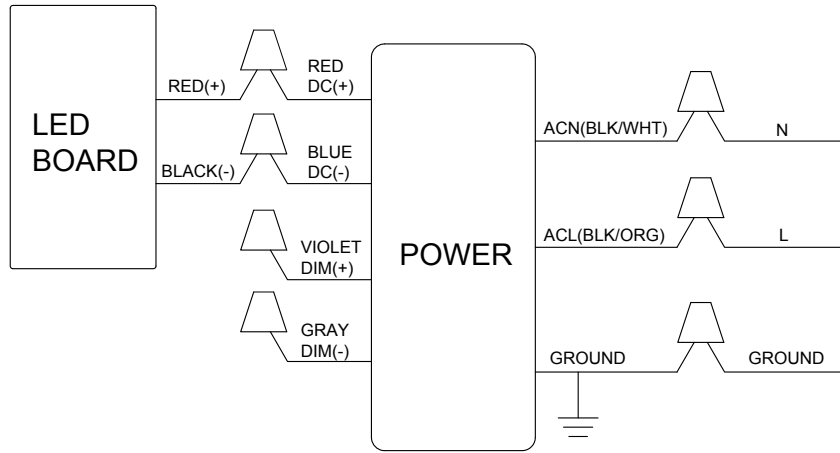
65W/100W/120W 120-277V



65W/100W/120W WITH MOTION SENSOR 120-270V



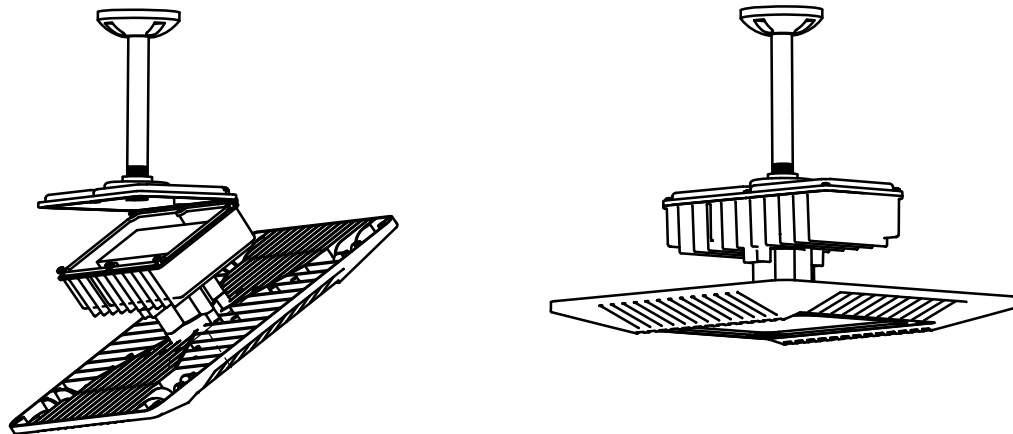
65W/100W/120W 347-480V



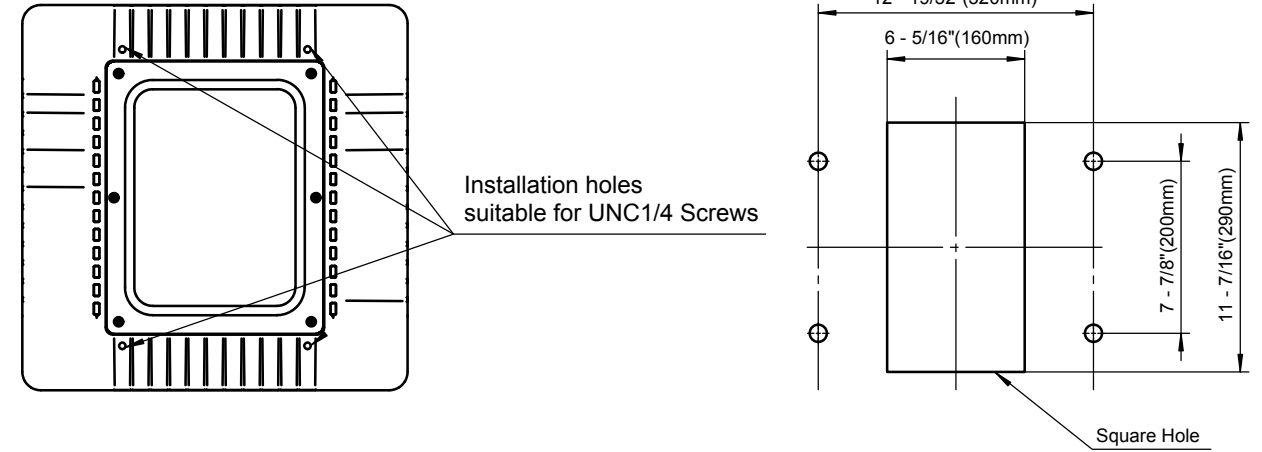
INSTALLATION

Pendant Option:

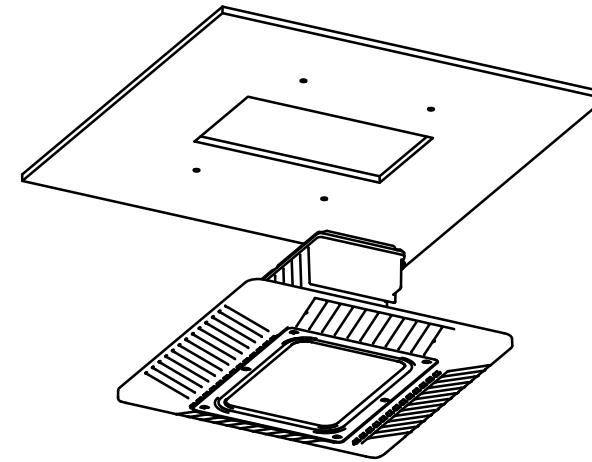
1. Attach the 3/4 NPT pendant pole to the ceiling.
2. Open the driver box, and attach the luminaire to the pendant pole.
3. Connect AC wire and lock the driver box.



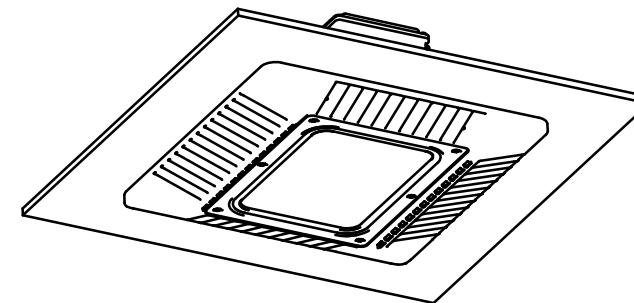
Ceiling Option for square hole



1. Opening the hole as 6 5/16" * 7 7/8" on the ceiling.



2. Attach the fixture to the hole, and lock the installation screws tightly



3. Open the driver box and connect the wires.
4. Tighten the driver box.